

**Ecluse** GTE

**Genç Degirmen**  
MILLING MACHINERY

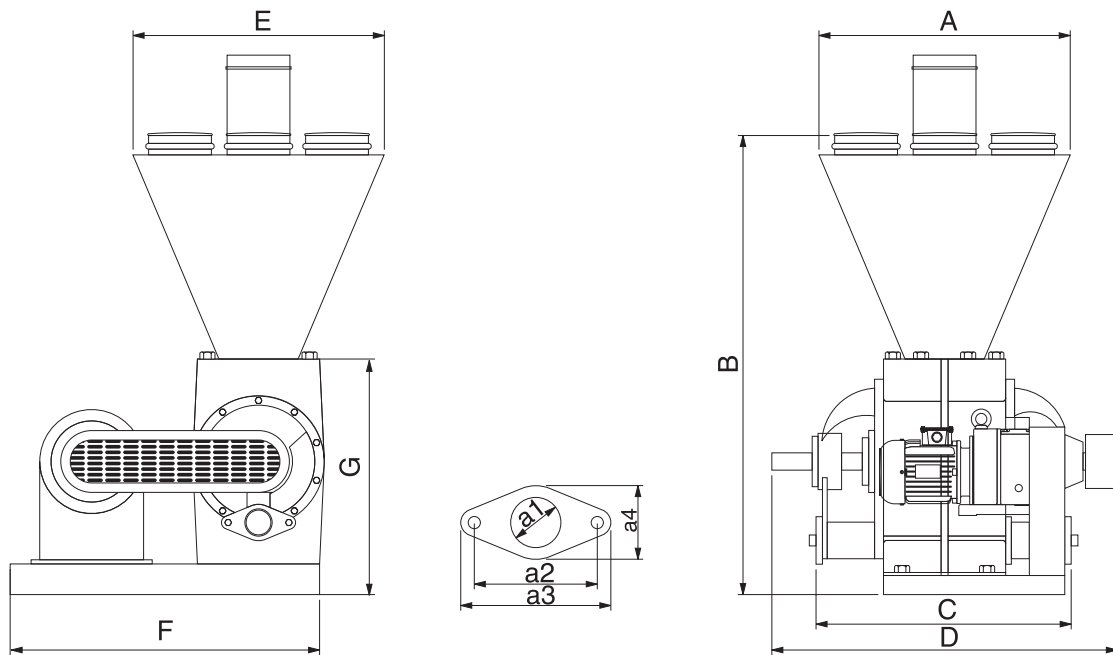
*Excellent Milling Properties...*

**WORKING PRINCIPLES**

Ecluse is used to transport of product by combined it with air.



**Product Data Sheet**



| Type    | Technical Features |       |      | Power (kW) | Dimensions (mm) |      |     |      |     |     |     |     |     |     | Weight (kg) |     |
|---------|--------------------|-------|------|------------|-----------------|------|-----|------|-----|-----|-----|-----|-----|-----|-------------|-----|
|         | Capacity (t/h)     |       |      |            | A               | B    | C   | D    | E   | F   | G   | a1  | a2  | a3  |             | a4  |
|         | Wheat              | Flour | Bran |            |                 |      |     |      |     |     |     |     |     |     |             |     |
| GTE 200 | 3.2                | 2.2   | 1.5  | 0.55       | 470             | 800  | 420 | 560  | 470 | 630 | 420 | 57  | 110 | 140 | 80          | 90  |
| GTE 250 | 8                  | 5.5   | 3    | 0.75       | 560             | 810  | 570 | 720  | 560 | 670 | 450 | 70  | 135 | 166 | 100         | 425 |
| GTE 320 | 18                 | 12.5  | 6.5  | 0.75       | 660             | 900  | 620 | 760  | 660 | 750 | 540 | 100 | 160 | 210 | 132         | 300 |
| GTE 450 | 40                 | 28    | 16   | 1.1        | 800             | 1000 | 650 | 880  | 550 | 360 | 550 | 120 | 195 | 245 | 150         | 645 |
| GTE 500 | 72                 | 50    | 28   | 1.5        | 900             | 1275 | 700 | 1000 | 700 | 400 | 716 | 175 | 233 | 267 | 267         | 450 |