

# Horizontal Scourer

GKS

**Genç Değirmen**  
MILLING MACHINERY

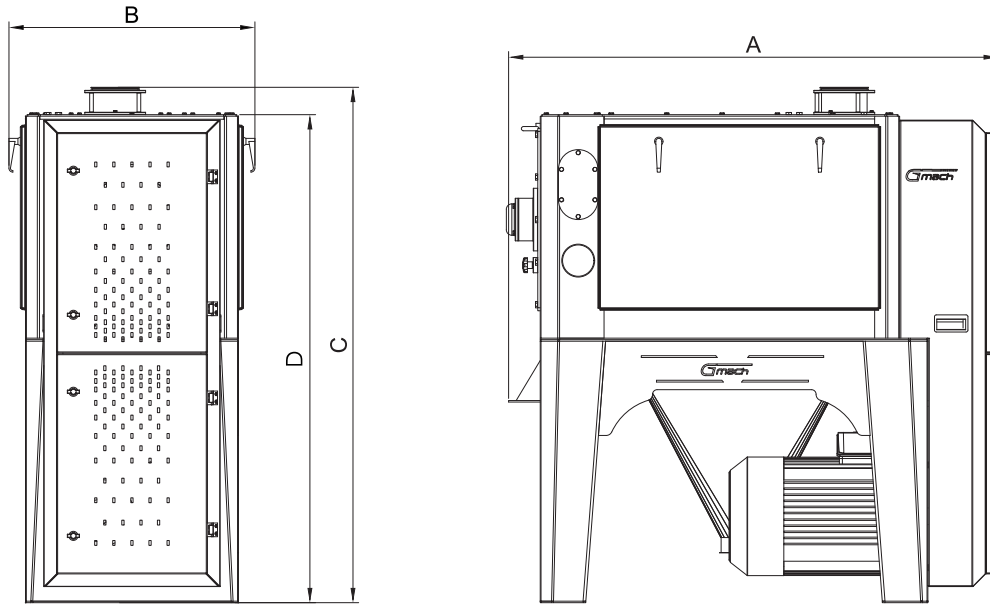
*Excellent Milling Properties...*

## WORKING PRINCIPLES

Horizontal scourer is used to clean up dust, sand and glume particles which stuck on wheat.



**Product Data Sheet**



Type	Technical Features			Dimensions (mm)				Weight (kg)
	Capacity (t/h)	Power (kw)	Volume (m <sup>3</sup> )	A	B	C	D	
GKS 30/60	6-8	5.5	1.3	1260	675	1510	1455	490
	8-10	7.5						550
	10-12	11						650
	12-15	15						710
GKS 45/80	15-20	15	1.7	1610	810	1695	1605	1040
	20 - 25	18.5-22						1100